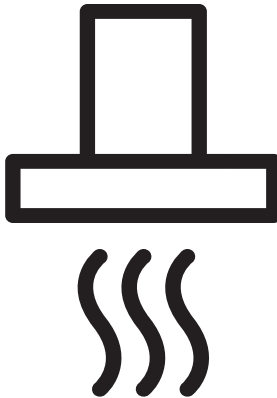


# arctic

## Cooker Hood

User Manual



AH 511 - AH 611

EN - RO



01M-9201133900-4722-03  
01M-9201123900-4722-03

# CONTENTS

---

**ENGLISH** **3-13**

---

**ROMÂNĂ** **14-28**

---

# Please read this user manual first!

Dear Valued Customer,

Thank you for preferring this Arctic appliance. We hope that you get the best results from your appliance which has been manufactured with high quality and state-of-the-art technology. For this reason, please read this entire user manual and all other accompanying documents carefully before using the appliance and keep it as a reference for future use. If you handover the appliance to someone else, give the user manual as well. Follow the instructions by paying attention to all the information and warnings in the user manual.

Remember that this user manual may also apply to other models. Differences between models are explicitly described in the manual.

## Meanings of the Symbols

Following symbols are used in various sections of this user manual:



Important information and useful hints about usage.



**WARNING:** Warnings against dangerous situations concerning the security of life and property.



**WARNING:** Warning for danger of fire.



**WARNING:** Warning for electric shock.



Protection class for electric shock.



# 1 Important safety and environmental instructions

## 1.1 General Safety

**Important Safety Instructions**  
**Read Carefully And Keep For Future Reference** This section contains safety instructions that will help protect from risk of fire, electric shock, exposure to leak microwave energy, personal injury or property damage. Failure to follow these instructions shall void any warranty.

- Arctic products comply with the applicable safety standards; therefore, in case of any damage on the appliance or power cable, it should be repaired or replaced by the dealer, service center or a specialist and authorized service alike to avoid any danger. Faulty or unqualified repair work may be dangerous and cause risk to the user.
- This appliance is intended to be used in household and similar applications such as:
  - Staff kitchen areas in shops, offices and other working environments;
  - Farm houses
  - By clients in hotels, and other residential type environments;
  - Bed and Breakfast type environments.
- Operate the appliance for its intended purpose only as described in this manual.
- The manufacturer cannot be held liable for damages resulting from improper installation or misuse of the product.
- This appliance can be used by children aged from 8 years and above and persons with reduced physical, sensory or mental capabilities or lack of experience and knowledge if they have been given supervision or instruction concerning use of the appliance in a safe way and understand the hazards involved.
- Children shall not be allowed play with the appliance. Cleaning and user maintenance shall not be made by children without supervision.
- The minimum distance between the supporting surface for the

# 1 Important safety and environmental instructions

cooking vessels on the hob and the lowest part of your product must be at least 65 cm.

- If the instructions for installation for the gas hob specify a greater distance, this has to be taken into account.
- Make sure that your mains power supply complies with the information supplied on the rating plate of the appliance.
- Never use the appliance if the power cable or the appliance itself is damaged.
- Prevent damage to the power cable by not squeezing, bending, or rubbing it on sharp edges. Keep the power cable away from hot surfaces and naked flame.
- Use the appliance with a grounded outlet only.

**WARNING:** Do not connect the appliance to the mains until the installation is fully complete.

- Place the appliance in a way so that the plug is always accessible.
- Do not touch the lamps if they have operated for a long time.

They can burn your hands since they will be hot.

- Follow the regulations set out by competent authorities on discharge of the exhaust air (this warning is not applicable for use without flue).
- Operate your appliance after putting a pot, pan etc. on the hob. Otherwise, high heat may cause deformation in some parts of your product.
- Turn off the hob before taking the pot, pan etc. from it.
- Do not leave hot on the hob. Pans with hot may cause self combustion.
- Pay attention to your curtains and covers since may catch fire while cooking food such as fries.
- Grease filter must be cleaned at least monthly. Carbon filter must be replaced at least every 3 months.
- Product shall be cleaned accordance with user manual. If cleaning was not carried out in accordance with user manual, there may be fire risk.

# 1 Important safety and environmental instructions

- Do not use non-fire-resistant filtering materials instead of the current filter.
  - Only use the original parts or parts recommended by the manufacturer.
  - Do not operate the product without the filter and do not remove the filters while the product is running.
  - In the event of be started any flame, de-energize your product and cooking appliances.
  - In the event of be started any flame, cover the flame and never use water to extinguish.
  - Unplug the appliance before each cleaning and when the appliance is not in use.
  - The negative pressure in the environment should not exceed 4 Pa (4x10 bar) while the hood for electric hob and appliances running on another type of energy but electricity operate simultaneously.
  - In the environment where the appliance is being used, the exhaust of devices running on fuel or gas, such as room heater must be absolutely isolated or device must be hermetical type.
  - When connecting the flue, use pipes with a diameter of 120 or 150 mm. Pipe connection must be as short as possible and have as few elbows as possible.
  - Danger of choking! Keep all the packaging materials away from children.
- CAUTION:** Accessible parts may become hot when used with cooking appliances.
- The product outlet must not be connected to air channels that include other smoke.
  - The ventilation in the room may be insufficient when the hood for electric hob is used simultaneously with the devices operating on gas or other fuels (this may not apply to appliances that only discharge the air back into the room).
  - Objects placed on the product may fall. Do not place any objects on the product.
  - Do not flambe under the your product.

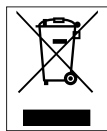
# 1 Important safety and environmental instructions

**WARNING:** Before installing the Hood, remove the protective films.

- Never leave high naked flames under the hood when it is in operation
- Deep fat fryers must be continuously monitored during use: overheated can burst into flames.

## 1.2 Compliance with the WEEE Directive and Disposing of the Waste Product:

This product complies with EU WEEE Directive (2012/19/EU). This product bears a classification symbol for waste electrical and electronic equipment (WEEE).



This symbol indicates that this product shall not be disposed with other household wastes at the end of its service life. Used device must be returned to official collection point for recycling of

electrical and electronic devices. To find these collection systems please contact to your local authorities or retailer where the product was purchased. Each household performs important role in recovering and recycling of old appliance. Appropriate disposal of used appliance helps prevent potential negative consequences for the environment and human health.

## 1.3 Compliance with RoHS Directive

The product you have purchased complies with EU RoHS Directive (2011/65/EU). It does not contain harmful and prohibited materials specified in the Directive.

## 1.4 Package Information

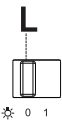

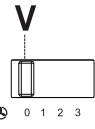


Packaging materials of the product are manufactured from recyclable materials in accordance with our National Environment Regulations. Do not dispose of the packaging materials together with the domestic or other wastes. Take them to the packaging material collection points designated by the local authorities.



## 3 Using the appliance

### 3.1 Controls panel

		
<b>L Light</b>	Switches the lighting system on and off.	
<b>V Speed</b>	Sets the operating speed of the extractor: 0. Speed switches the extractor motor off. 1. Low speed, used for a continuous and silent air change in the presence of light cooking vapour. 2. Medium speed, suitable for most operating conditions given the optimum treated air flow/noise level ratio. 3. Maximum speed, used for eliminating the highest cooking vapour emission, including long periods.	


- The extractor hood has been designed exclusively for domestic use to eliminate kitchen smells.
- Never use the hood for purposes other than for which it has been designed.
- Never leave high naked flames under the hood when it is in operation.
- Adjust the flame intensity to direct it onto the bottom of the pan only, making sure that it does not engulf the sides.
- Deep fat fryers must be continuously monitored during use: overheated can burst into flames.

### 3.2 Efficient use in terms of energy saving

- When using your appliance, adjust the speed settings according to vapour and odour intensity, in order to save energy.
- Use low speeds (1-2) under normal conditions, and high speed (3) and boost mode for intense odour and vapour.
- The hood is equipped with lamps in order to illuminate the cooking area.

- Using them for environmental lighting shall cause unnecessary energy expenditure and insufficient lighting.
- For your device to consume less energy, run it at a low speed level.
- Your device will reduce energy consumption as it will run more efficiently when you provide sufficient air intake to it.
- Set your device to the intense suction power level before the formation of steam, in cases where you know that the dense steam will occur. So, you reduce energy consumption by using your device for a shorter time as it will have a sufficient air intake.
- Keep the lids of the cookware closed to reduce the steam evolving.

### 3.3 Operating the Hood

- Hood is equipped with a motor having various speed settings.
- For a better performance, we advise you to use low speeds in normal conditions, and high speeds when smell and vapors are intensified.
- You can start the hood by pressing the desired speed level key.(V1,V2,V3 )
- You can illuminate the cooking area by pressing the light key L (  )

### 3.4 Lamp replacement

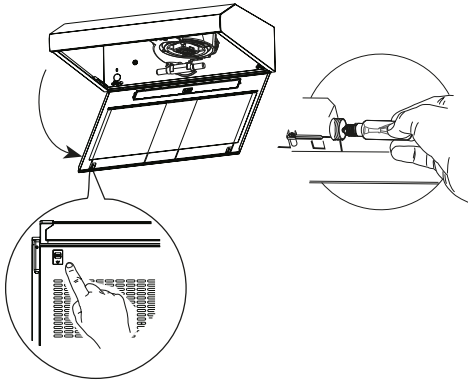


- Before replacing the light bulbs, disconnect the power supply of the hood.
- Do not touch the light bulbs when they are hot.
- Be careful not to touch the replaced light bulb directly with hands.

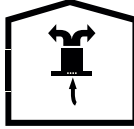


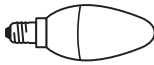
You may procure lamps from Authorised Service Agents.

## 3 Using the appliance



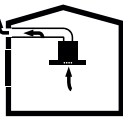
### 3.6 Operation without flue connection

-  Air is filtered through the carbon filter and recirculated in the room. Carbon filter is used when it is impossible to use a flue in the house.
- In flueless use, remove the flaps inside the flue adapter.
- Remove the oil filter. To install the carbon filter, fit the filter to the tabs by centring it on the plastic piece on both sides of the fan body. Tighten it by turning right or left.
- Replace aluminium oil filter.

<b>Lamp</b>	
<b>Bulb power</b>	4 W
<b>Holder/Socket</b>	E14
<b>Bulb voltage</b>	220 - 240 V
<b>ILCOS Code</b>	D R B B / F - 4 - 2 2 0 - 240-E14-35/100
<b>Size</b>	35x100 mm
<b>Luminous flux</b>	400 lm
<b>Correlated colour temperature</b>	3000 K

This product contains a light source of energy efficiency class "F".

### 3.5 Operation with flue connection

-  Vapour is extracted through the flue duct, which is fastened to the connection head on the hood.
- The diameter of the flue duct must be the same as the connection ring. In horizontal settings, the pipe has to have a slight upward slope (around 10°) so that the air can exit the room easily.

## 4 Cleaning and maintenance

The device should be cleaned and maintained regularly. Failure to keep the device clean will adversely affect the service life of the device. For cleaning and maintenance, follow the instructions stated in the manual.



Before cleaning and maintenance, unplug the product or turn off the switch.



Non-compliance with the provisions associated with the cleaning of the device and replacement of the filters may result in a risk of fire. Therefore, it is recommended to follow the guidelines stated here. The manufacturer is not responsible for the engine damages or fires originating from the improper use.

Clean the hood using a damp cloth and a neutral liquid detergent.

### 4.1 Cleaning of grease filter

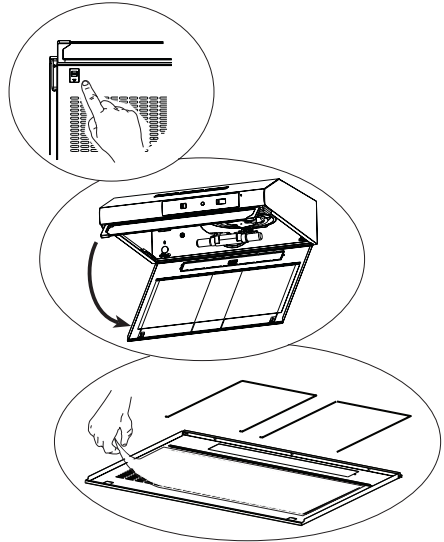
This filter captures particles in the air. You are recommended to clean your filter every month under normal usage conditions. First remove the grease filters for this process. Wash the filters with liquid detergent and rinse them with water and install them back after they get dry. Grease filters may get discolored as they are washed; this is normal and you don't need to change your filter.



You can wash the grease filter in the dishwasher



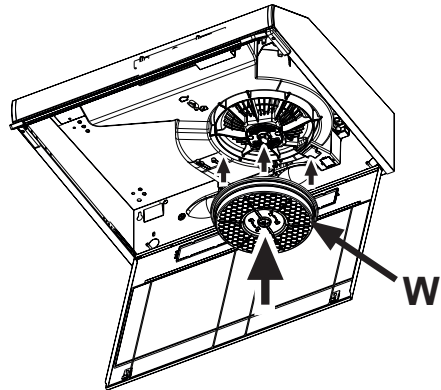
**CAUTION:** In case of normal use, clean your filter once in a month.



### 4.2 Changing of carbon filter (Air circulation mode)

The hood can be fitted with an active carbon filter. The carbon filter is applied only in case the hood is not connected to the vent duct.

In any case it is necessary to replace the carbon filter at least every three months.



## 4 Cleaning and maintenance



### WARNING:

- The carbon filter is never washed.
- Replace carbon filters once every 3 months.
- Carbon filter is available from Authorized Services.

## 5 Installation of appliance



**WARNING:** Before starting the installation, read the safety information on user manual.



**WARNING:** Failure to install with screws and stabilizers in accordance with these instructions may result in electric shock.

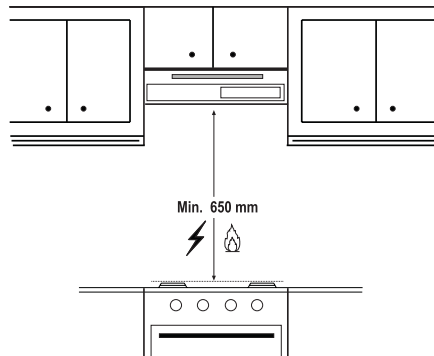


Please refer to page 29 for the installation guide.

For the installation of the hood, please contact the nearest Authorized Service.

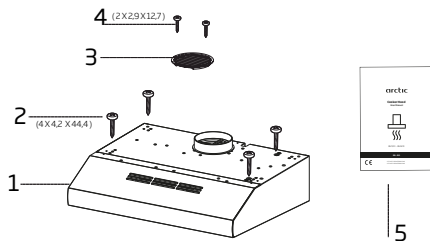
It is the customer's responsibility to prepare the location and electrical installation of the hood.

### 5.1 Position of the appliance



- Distance between the cooker and the cooker hood must be considered prior to assembly. This distance should be 65 cm.
- Distance must be measured from the surface of grate for gas cookers,
- from surface of glass for electric cookers.

### 5.2 Installation accessories



1. Hood
2. 4 X 4,2 x 44,4 screws
3. Air outlet grille
4. 2 X 2,9 x 12,7 screws
5. User manual



**WARNING:** Failure to install the screws or fixing device in accordance with these instructions may result in electrical hazards.

## 5 Installation of appliance

### 5.3 Storage

- If you do not intend to use the appliance for a long time, please store it carefully.
- Please make sure that the appliance is unplugged, cooled down and totally dry.
- Store the appliance in a cool and dry place.
- Keep the appliance out of the reach of children

### 5.4 Handling and transportation

- During handling and transportation, carry the appliance in its original packaging. The packaging of the appliance protects it against physical damages.
- Do not place heavy loads on the appliance or the packaging. The appliance may be damaged.
- Dropping the appliance will render it non-operational or cause permanent damage.

## 6 Troubleshooting

Troubleshooting	Reason	Help
The product does not work.	Check your fuse.	Your fuse might be closed, make it work.
The product does not work.	Check the electrical connection.	The mains voltage should be between 220-240 V.
The product does not work.	Check the electrical connection.	Check if the other products in your kitchen are working or not.
The lighting lamp does not work.	Check the electrical connection.	The mains voltage should be between 220-240 V.
The lighting lamp does not work.	Check the lamp switch.	The lamp switch should be in the "on" position.
The lighting lamp does not work.	Check the lamps.	The lamps of the product should not be faulty.
The air intake of the product is poor.	Check the aluminum filter.	The aluminum filter should be cleaned at least once a month under normal conditions.
The air intake of the product is poor.	Check the air vent flue.	The air vent flue should be in the "on" position.
The air intake of the product is poor.	Check the carbon filter.	For products with carbon filters, the filter should normally be changed every 3 months.